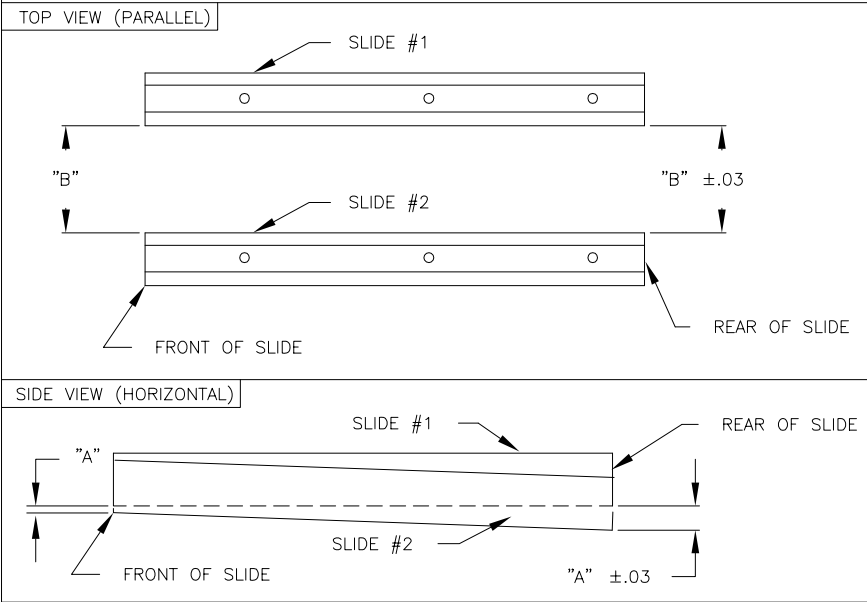
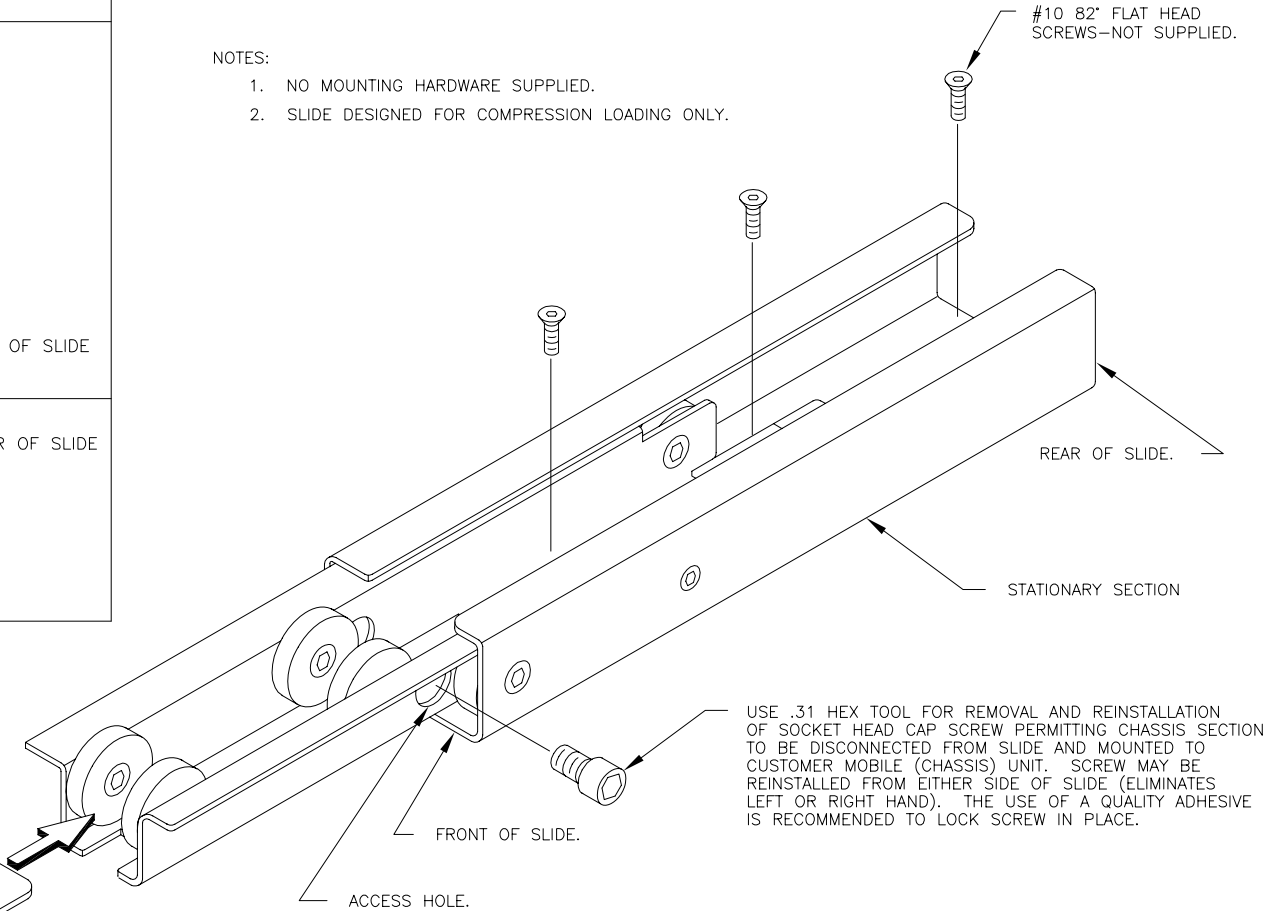
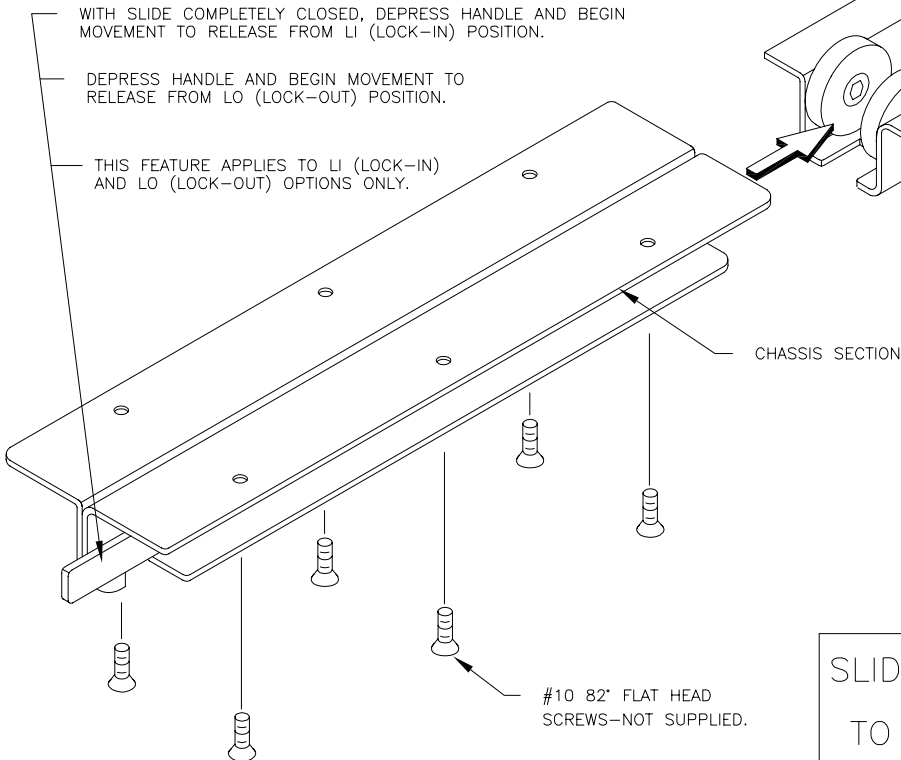


RECOMMENDED TOLERANCE FOR MOUNTING
STATIONARY SECTIONS OF SLIDE.



NOTES:

1. NO MOUNTING HARDWARE SUPPLIED.
2. SLIDE DESIGNED FOR COMPRESSION LOADING ONLY.



SLIDE MUST BE DISCONNECTED
TO MOUNT CHASSIS SECTION

C-938/C-938-LI-LO MOUNTING
(CC5200 SERIES SLIDES)



CHASSIS TRAK® Telescoping Slides

www.generaldevices.com

If you have questions please call 317-897-7000
or send e-mail to sales@generaldevices.com